

APPLICATION:

PRODUCT NAME:

**DrainKing WASTE VALVE
ROUGH CHROME**

JOB NAME:

_____ SPECIAL CONFIGURATION
(CHECK BASE MODEL AND OPTIONS)

QUANTITY:

ITEM NO.:

MODEL:

29033 WITH FLAT STRAINER & OVERFLOW BODY

OPTIONS OR MODIFICATIONS:

OTHER _____

FEATURES:

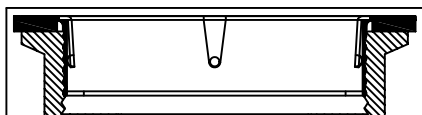
- * DUAL TEFLON SEALS
- * STAINLESS STEEL BALL
- * CAST RED BRASS BODY, CHROME PLATED
- * EXTRA STURDY STAINLESS STEEL CLAMPING RING
- * "CLEAR THROUGH " OPENING - NO NEED TO DISSASSEMBLE IF SNAKING IS REQUIRED
- * INDUSTRY STANDARD "SEALING" ANGLE - FITS FLUSH TO STANDARD STAINLESS STEEL SINKS
- * STAINLESS STEEL FLAT STRAINER
- * 1/4 TURN FULLY OPENS AND CLOSES VALVE
- * END CAP W/ GASKET (INSTALLED)
- * SUPPLIED WITH:
ALTERNATE SLIP JOINT NUT & WASHER

DRAIN RATE:

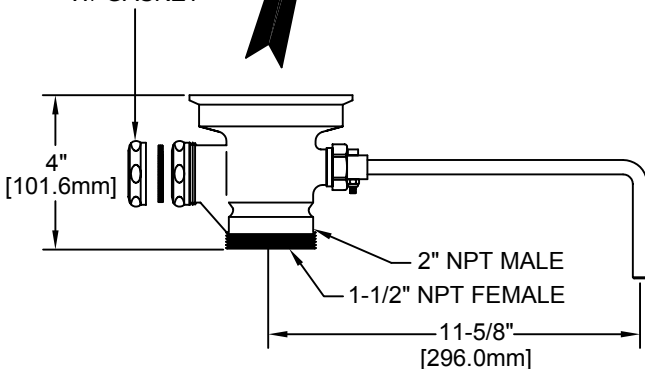
* 12 GPM

SHIPPING WEIGHT

* 5.5 LBS

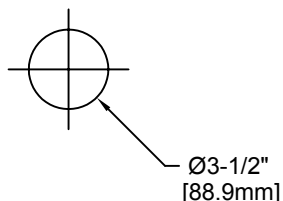


ALTERNATE END CAP
W/ GASKET



ROUGH-IN:

DRAIN:



 ANSI/A112.18.1M

FISHER

FISHER MANUFACTURING COMPANY
TOLL FREE: 800-421-6162 - FAX: 800-832-8238
information@fisher-mfg.com - www.fisher-mfg.com